



PAL Series 3-Phase

0.2kW

■ SPECIFICATION

■ MOTOR

Output (kW)	Model Name	Poles	Voltage (V)	Freq. (Hz)	Rated Load			Duty	Degrees of protection	Insulation Classification	Protective Cooling System
					Current (A)	Speed (r/min)	Efficiency (%)				
0,2	PAL□-□-□-□020R4□	4	220/380	60	1,10/0,60	1715	71,5	CONT.	IP55	F	Totally Enclosed Fan-Cooled
	PAL□-□-□-□020W6□	4	200	50	1,10	1415	71,7				
			200/220	60	1,00/1,00	1690/1715	72,8/73,2				
	PAL□-□-□-□020X6□	4	380/400	50	0,60/0,60	1410/1420	71,0/67,2				
400/440			60	0,50/0,50	1700/1720	70,8/73,4					

- The Brake Geared Motor is divided into 2 models: one is a non-water proof product with IP40 while the other is a waterproof product with IP55.
- The Models with IP40 and IP55 have the same electric characteristics.

■ GEARED MOTOR – 50Hz

Frame No.	18					22					28					
Reduction gear ratio	5	10	15	20	25	30	40	50	60	80	100	100	120	160	200	
Rotation speed (r/min)	300	150	100	75	60	50	37,5	30	25	18,8	15	15	12,5	9,4	7,5	
Allowable torque	kgf · m	0,62	1,2	1,9	2,5	3,1	3,7	4,8	6	7,2	9,6	9,9	11,9	14,3	19,1	23,9
	N · m	6,1	11,8	18,6	24,5	30,4	36,3	47	58,8	70,6	94,1	97	117	140	187	234
Allowable O.H.L	kgf	60	90	100	120	130	180	190	200	220	250	250	290	340	350	350
	N	588	882	980	1180	1270	1760	1860	1960	2160	2450	2450	2840	3330	3430	3430

■ GEARED MOTOR – 60Hz

Frame No.	18					22					28					
Reduction gear ratio	5	10	15	20	25	30	40	50	60	80	100	100	120	160	200	
Rotation speed (r/min)	360	180	120	90	72	60	45	36	30	22,5	18	18	15	11,2	9	
Allowable torque	kgf · m	0,51	1	1,5	2,1	2,6	3,1	4	5	6	8	8,2	10	11,9	15,9	19,9
	N · m	5	9,8	14,7	20,6	25,5	30,4	39,2	49	58,8	78,4	80,4	98	117	156	195
Allowable O.H.L	kgf	60	90	100	120	130	180	190	200	220	250	250	290	340	350	350
	N	588	882	980	1180	1270	1760	1860	1960	2160	2450	2450	2840	3330	3430	3430

- Note) • Permissible O.H.L (allowable overhung load) is based on the central part of the outlet length for output shaft
- ■ Color indicates the same direction of motor rotation, while other color indicates the opposite direction of motor rotation.

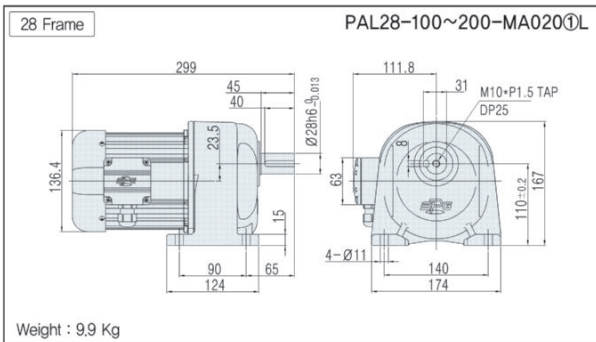
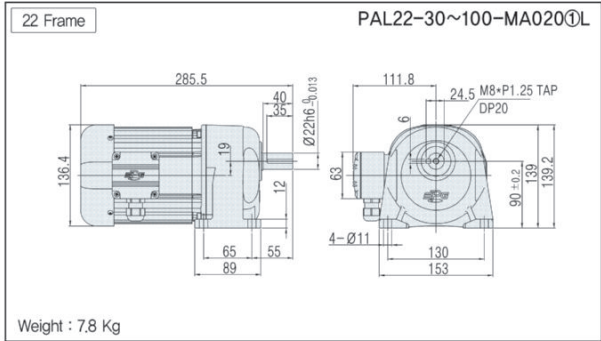
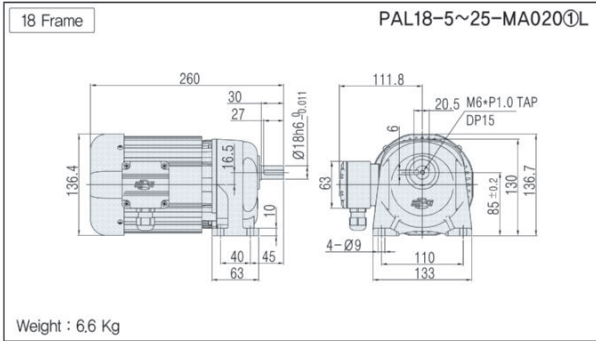
Model Name Coding
 36Page

Specification for output shaft
 70Page

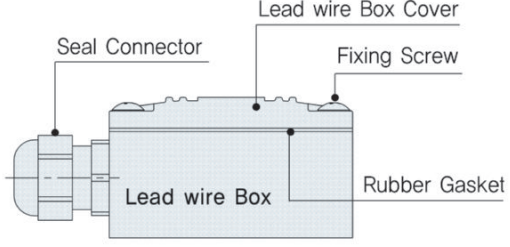
Technological Data
 101Page

■ PAL TYPE DIMENSIONS [Lead wire Box Type]

UNIT = mm



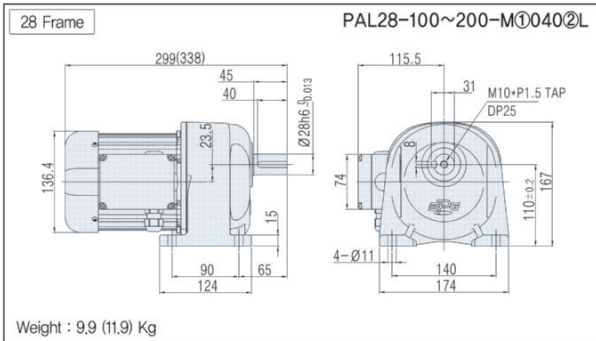
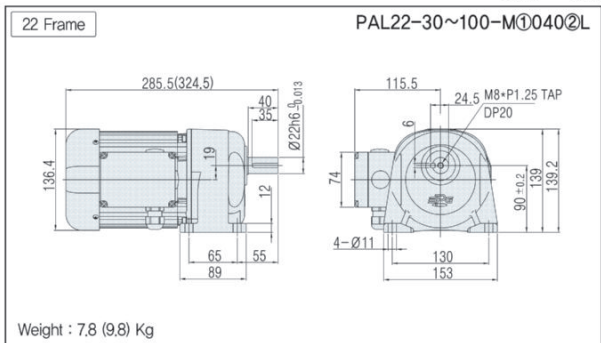
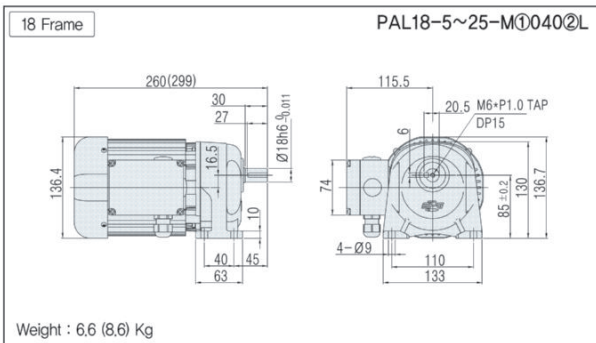
- Model type ① : Power (Voltage & Frequency)
- Lead wire Box for 0.2~0.75kW



■ PAL TYPE DIMENSIONS [Terminal Box Type]

Note) • Dimensions for IP40 model and IP55 model are the same.
 • The brake-attached model is applied to the Terminal Box Type for basic features, but does not apply to the lead wire box type.
 • () dimension and weight in dimensions is for brake attached model specification

UNIT = mm



- Model type ① : Motor option (B, C, D)
- ② : Power (Voltage & Frequency)
- Terminal Box for 0.2~0.75kW

